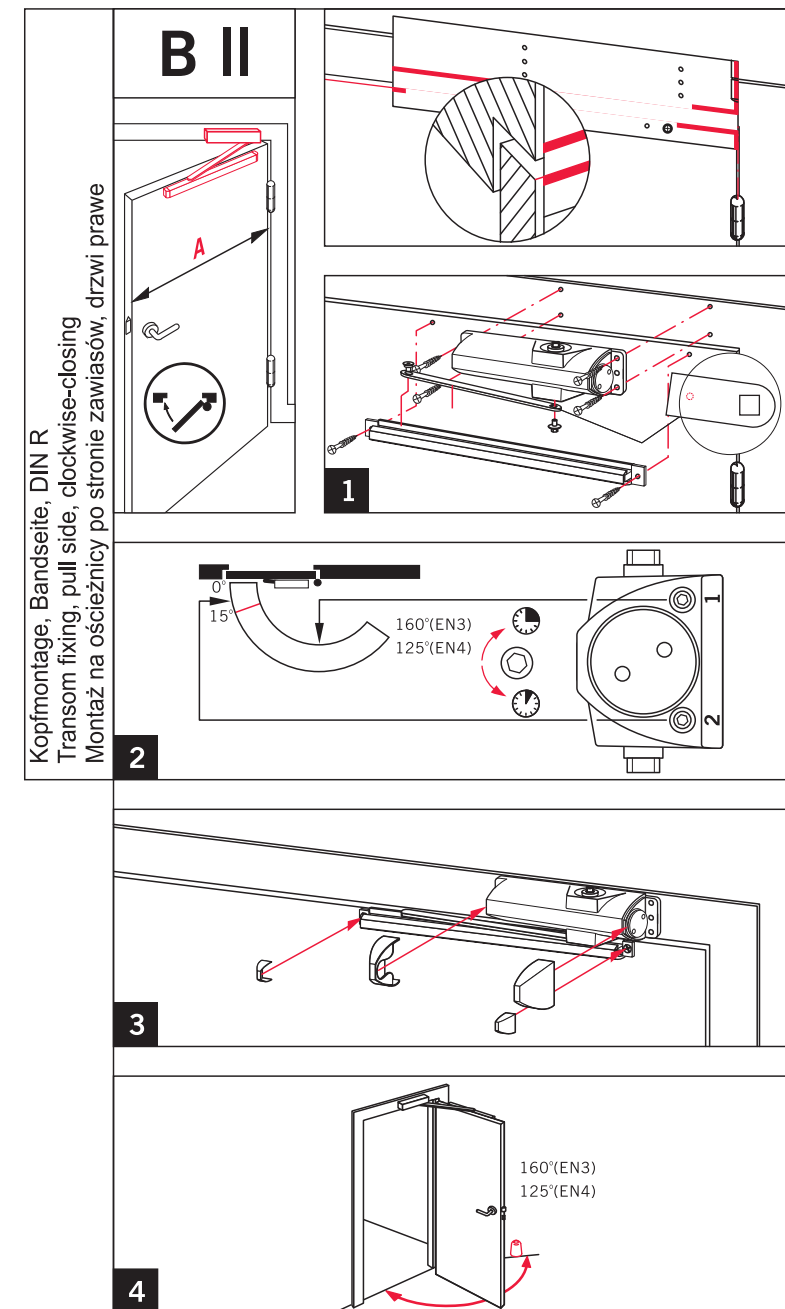
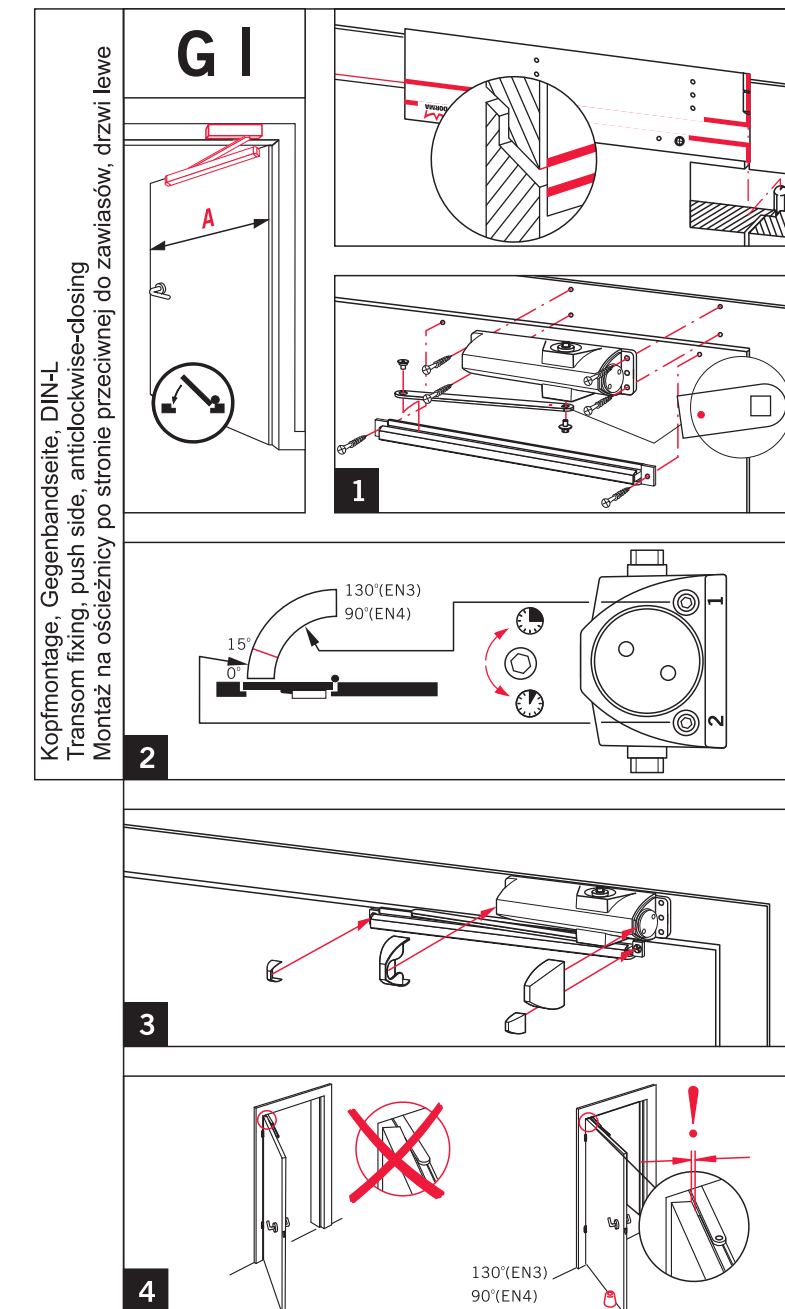


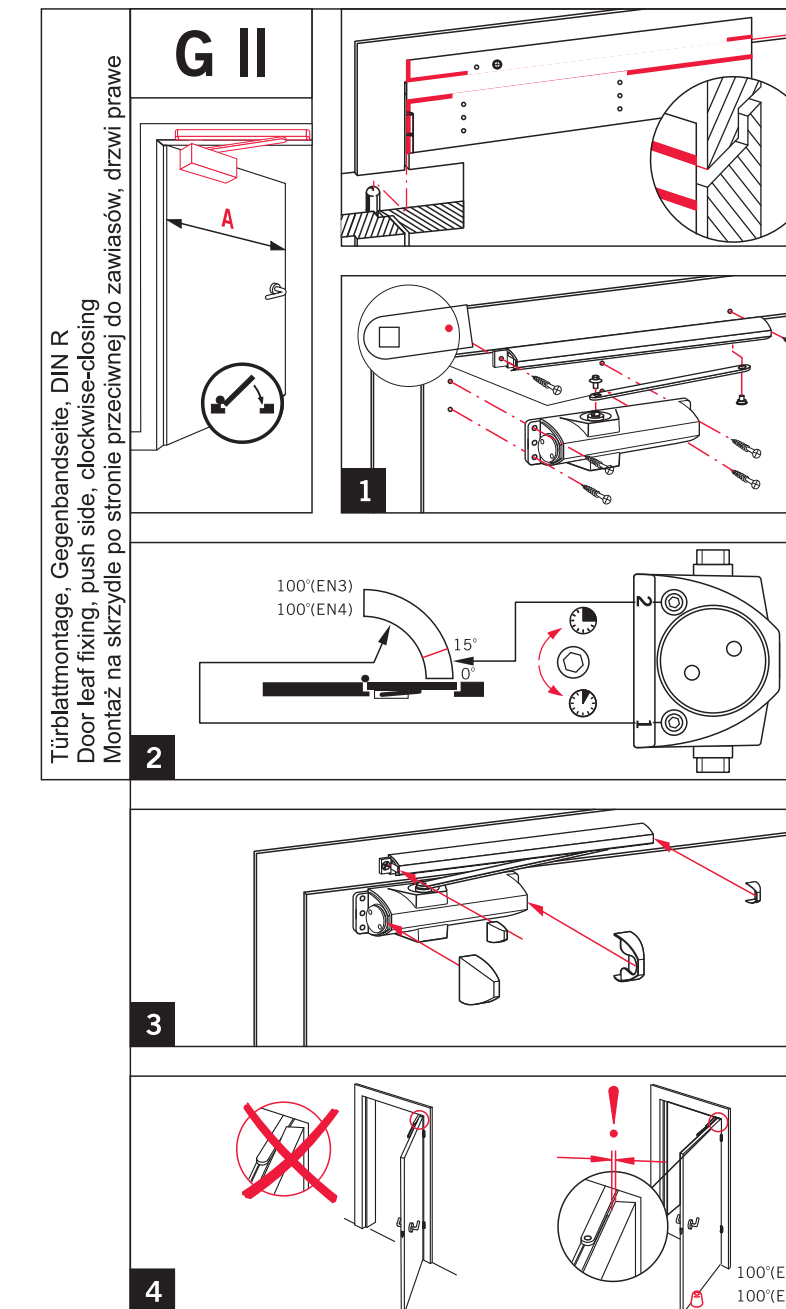
TS 90 IMPULSE EN 3/4 WN 056981 45532 2019-12 2



TS 90 IMPULSE EN 3/4 WN 056981 45532 2019-12 3



TS 90 IMPULSE EN 3/4 WN 056981 45532 2019-12 4



TS 90 IMPULSE EN 3/4 WN 056981 45532 2019-12 5

IMPORTANT

READ CAREFULLY BEFORE USE

KEEP THE MANUAL FOR FUTURE REFERENCE

"Original instruction manual"

Target group
The door closer may only be installed by technically trained specialists.

Intended use
The TS 90 is exclusively aimed to be used for the controlled closing of single-action doors.

Limitation of liability
The TS 90 may only be used in accordance with its intended use. Modifications to the product or the use of accessories not approved by the manufacturer are not permitted.

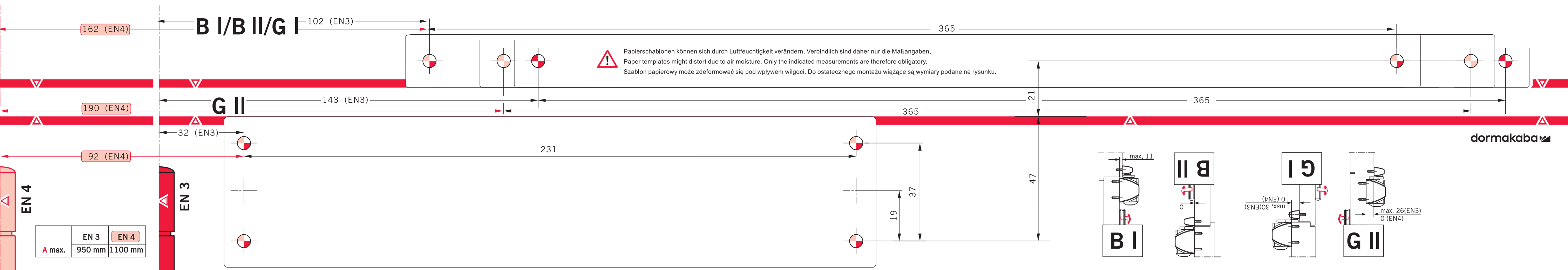
Installation instructions
The illustrations in this manual show the installation for DIN-L and DIN-R.

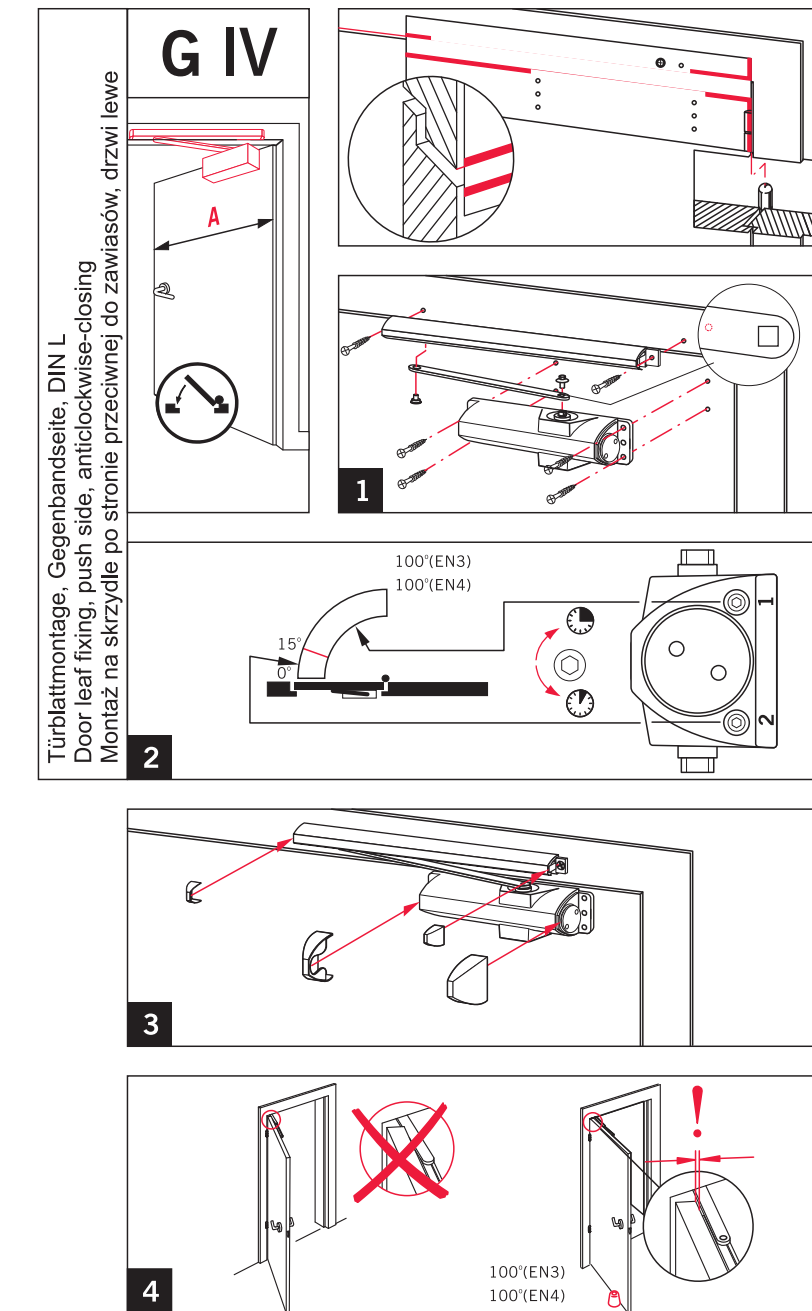
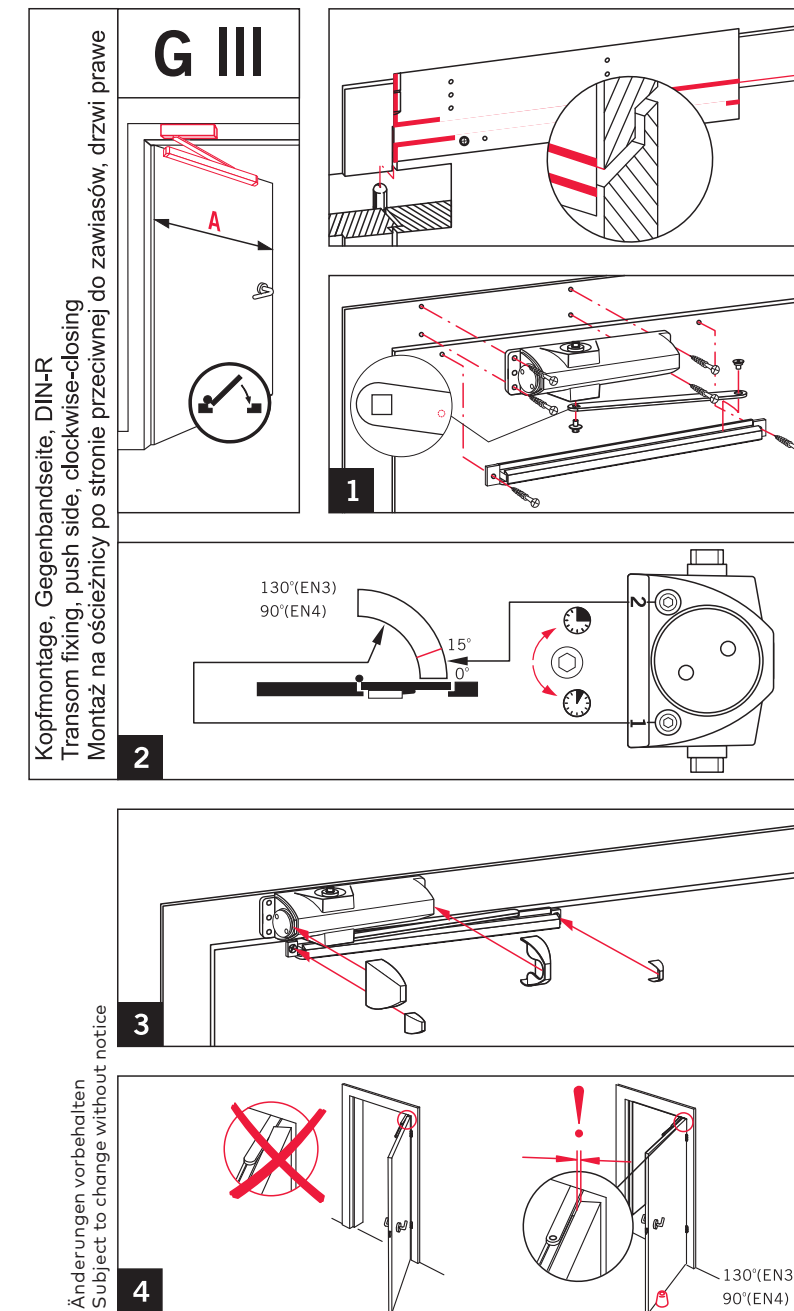
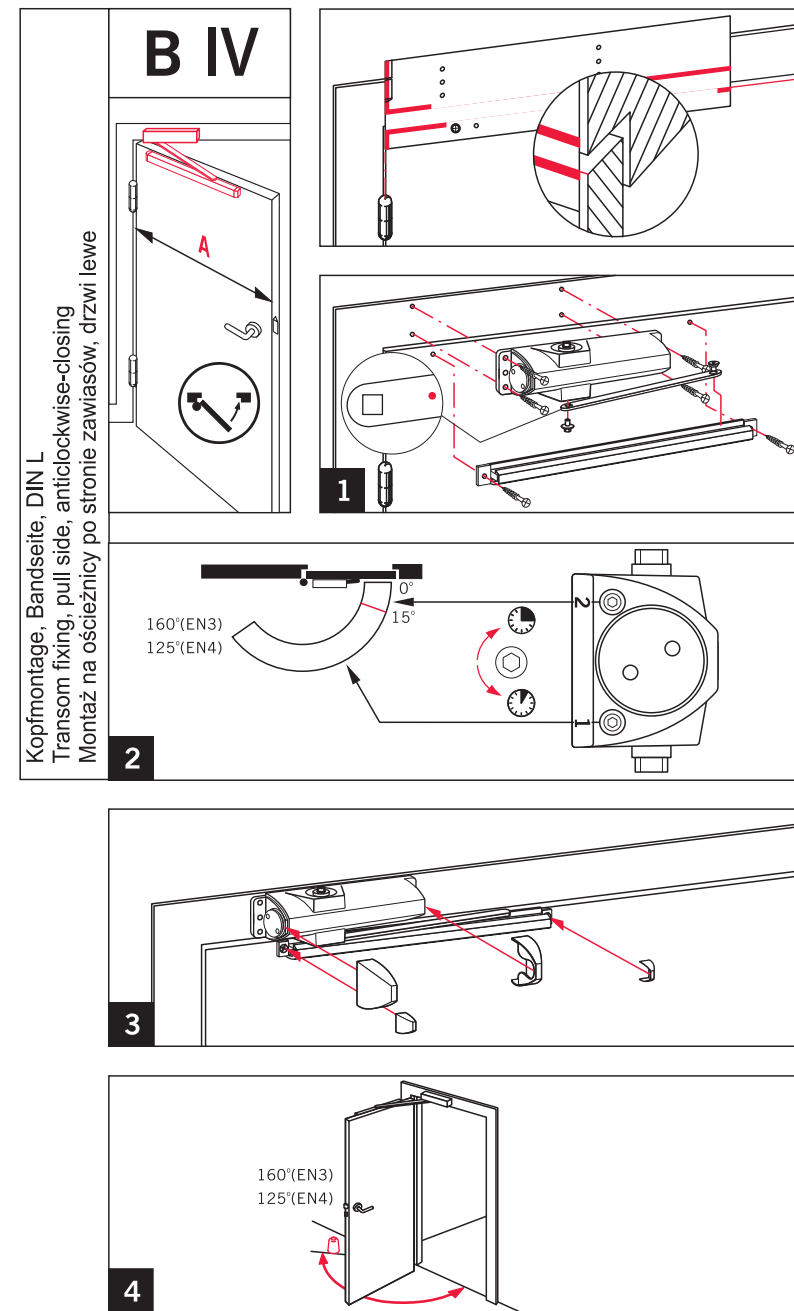
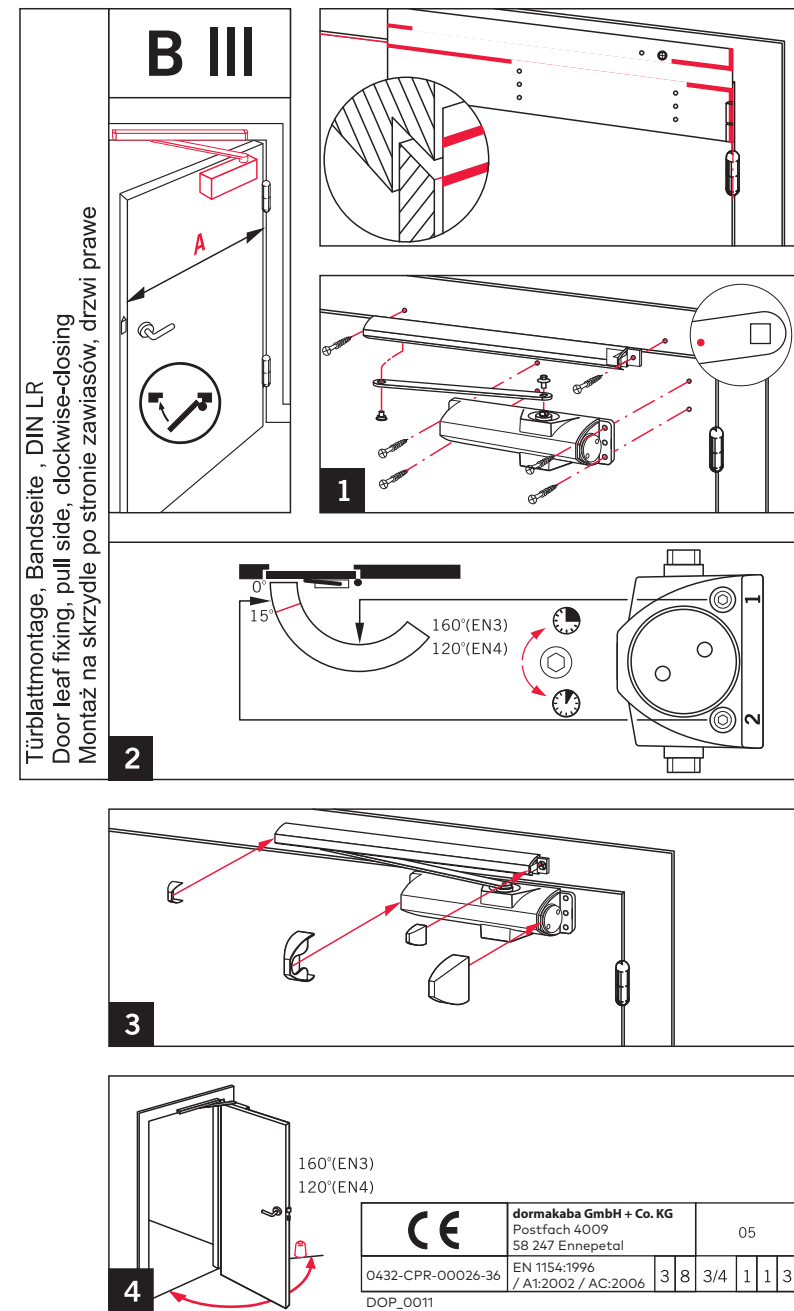
TS 90 IMPULSE
EN 3/4

WN 056981 45532
2019-12

EN

Mounting instructions





⚠️ Papierschablonen können sich durch Luftfeuchtigkeit verändern. Verbindlich sind daher nur die Maßangaben.
Paper templates might distort due to air moisture. Only the indicated measurements are therefore obligatory.
Szablon papierowy może zdeformować się pod wpływem wilgoci. Do ostatecznego montażu wiążące są wymiary podane na rysunku.

